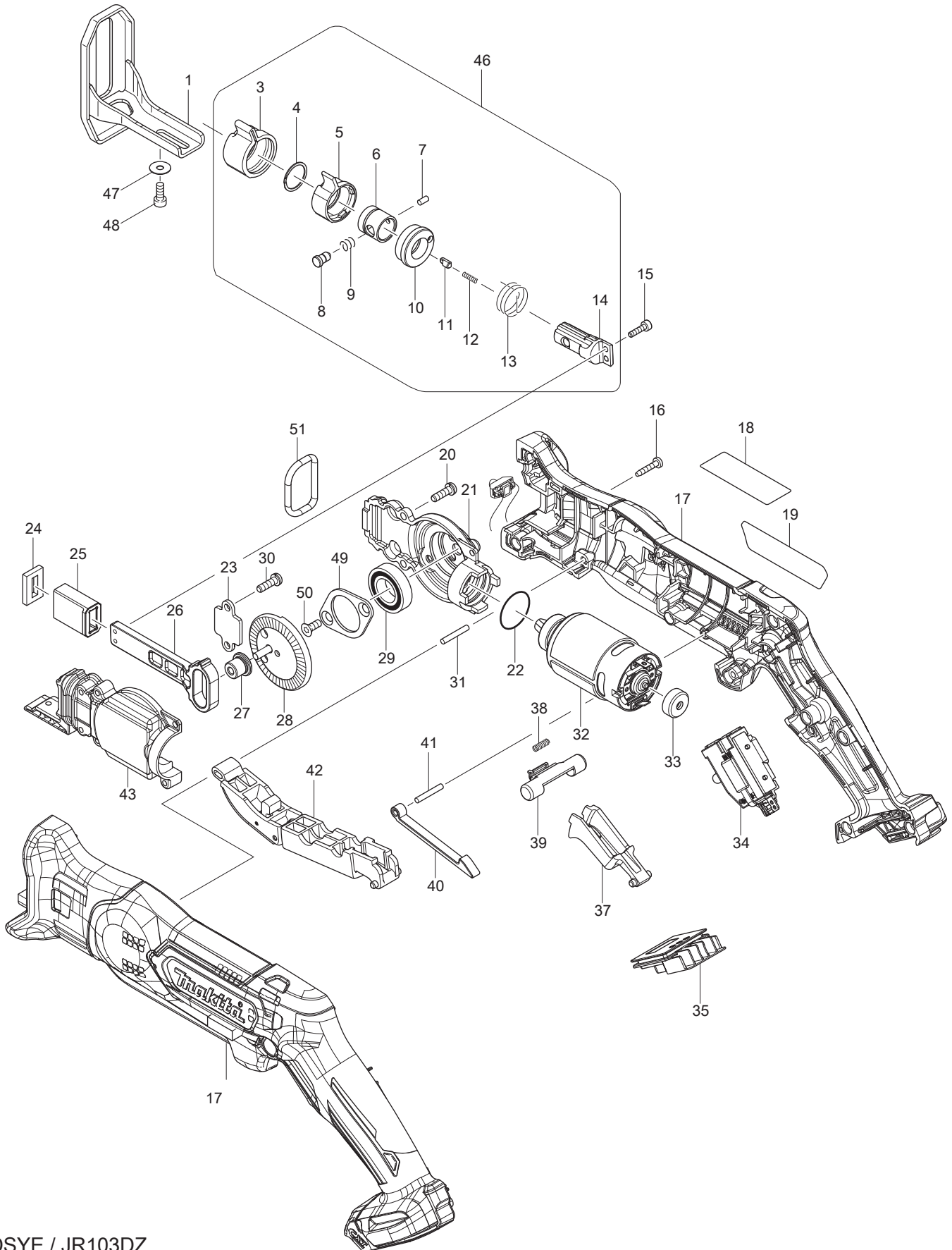




09 - 2015  
JR103DSYE / JR103DZ  
12V LXT Reciprocating Saw



## PARTS LIST

Item No	Type	Part No	Description	Qty	Unit
001		165740-8	SHOE	1	PC.
003		424466-4	PROTECTOR	1	PC.
004		257981-1	RETAINING RING (EXT)16	1	PC.
005		310496-0	DRIVING SLEEVE	1	PC.
006		331963-2	GUIDE SLEEVE	1	PC.
007		268094-3	PIN 3	1	PC.
008		256492-3	SHOULDER PIN 5	1	PC.
009		233345-3	COMPRESSION SPRING 6	1	PC.
010		453071-0	CONNECTING SLEEVE	1	PC.
011	3	310912-2	* PUSH PIN	1	PC.
012	2	232472-3	* COMPRESSION SPRING 2	1	PC.
013		233594-2	TORTION SPRING 17	1	PC.
014		326113-2	BLADE GUIDE	1	PC.
015	1	265910-0	HEX. SOCKET HEAD BOLT M3X12	2	PC.
015	2	265D80-9	HEX. SOCKET HEAD BOLT M3X10	2	PC.
016		266429-2	TAPPING SCREW 3X16	10	PC.
017		183C31-3	HOUSING SET	1	SET
017	INC.	263002-9	RUBBER PIN 4	3	PC.
018		807F59-2	CAUTION LABEL	1	PC.
019		851H89-7	NAME PLATE F/JR103D	1	PC.
020		266747-8	PAN HEAD SCREW M4X14 WITH WM	3	PC.
021		319060-4	GEAR HOUSING	1	PC.
022		213961-7	O RING 22	1	PC.
023		346525-3	PLATE	1	PC.
024		443185-3	FELT SEAL	1	PC.
025		313220-0	SLIDER GUIDE	1	PC.
026		313271-3	SLIDER	1	PC.
027		313270-5	COLLARED SLEEVE 4	1	PC.
028	1	142284-5	* GEAR COMPLETE	1	PC.
028	2	1410R5-8	* GEAR COMPLETE	1	PC.
029	1	211242-3	BALL BEARING 6902ZZ	1	PC.
030		266747-8	PAN HEAD SCREW M4X14 WITH WM	2	PC.
031		256158-5	PIN 3	1	PC.
032	1	629165-5	* DC MOTOR	1	PC.
032	2	629C94-0	* DC MOTOR	1	PC.
033		424467-2	CAP	1	PC.
034		632F47-8	SWITCH UNIT	1	PC.
035		644813-5	TERMINAL	1	PC.

Item No	Type	Part No	Description	Qty	Unit
037		453072-8	SWITCH LEVER R	1	PC.
038		233438-6	COMPRESSION SPRING 4	1	PC.
039		454661-2	LOCK OFF LEVER R	1	PC.
040		313219-5	LINK	1	PC.
041		256158-5	PIN 3	1	PC.
042		141128-6	SWITCH LEVER F COMPLETE	1	PC.
043		319061-2	GEAR HOUSING COVER	1	PC.
046		126201-3	BLADE CLAMP ASSEMBLY	1	PC.
046	INC.		Item No. 3-14		
047		253874-0	FLAT WASHER 4	1	PC.
048		922112-8	HEX. SOCKET HEAD BOLT M4X10	1	PC.
049		285738-0	BEARING RETAINER 36	1	PC.
050		265035-0	COUNTERSUNK HEAD SCREW M4X10	2	PC.
051		424597-9	RUBBER RING 23	1	PC.
A01		783201-2	HEX. WRENCH 3	1	PC.
A02		B-20432	RECIPRO SAW BLADE BIM 6T 4" 5PK, F/WOOD	1	PC.
A03		723063-A-5	RECIPRO BLADE BIM 18T 4" 5PK, F/METAL	1	PC.
A04		E-10693	RECIPRO SAW BLADE 3PC KIT	1	KT
A05		DC10SB	RAPID CHARGER DC10SB	1	PC.
A06		-----	12V MAX LI-ION BATTERY, SLIDE TYPE	2	PC.
A07		821662-9	PLASTIC CARRYING CASE	1	PC.
A07	INC.	162315-4	LATCH	2	PC.
A08		456128-6	BATTERY COVER F/ 12V LI-ION SLIDE TYPE	1	PC.
C01		878361-4	CARTON F/JR103DZ	1	PC.

## SERVICE CHANGES: JR103D

### 1. Change on Push Pin and Compression Spring 2 (T/I#C0312) (T/I#C5468)

Item No.	Description	Type 1	Type 2	Type 3
011	Push Pin	310495-2	310859-0	310912-2
012	Compression Spring 2		233025-1	232472-3

Above parts are interchangeable as a set.

### 2. Change on Gear Complete and DC Motors (T/I#DU283)

Item No.	Description	Type 1	Type 2
028	GEAR COPLETE	142284-5	1410R5-8
032	DC MOTOR	629165-5	629C94-0

Above parts are interchangeable as a set.

- [1] Change of Gear complete
- [2] - [6]: Change of DC motor

